

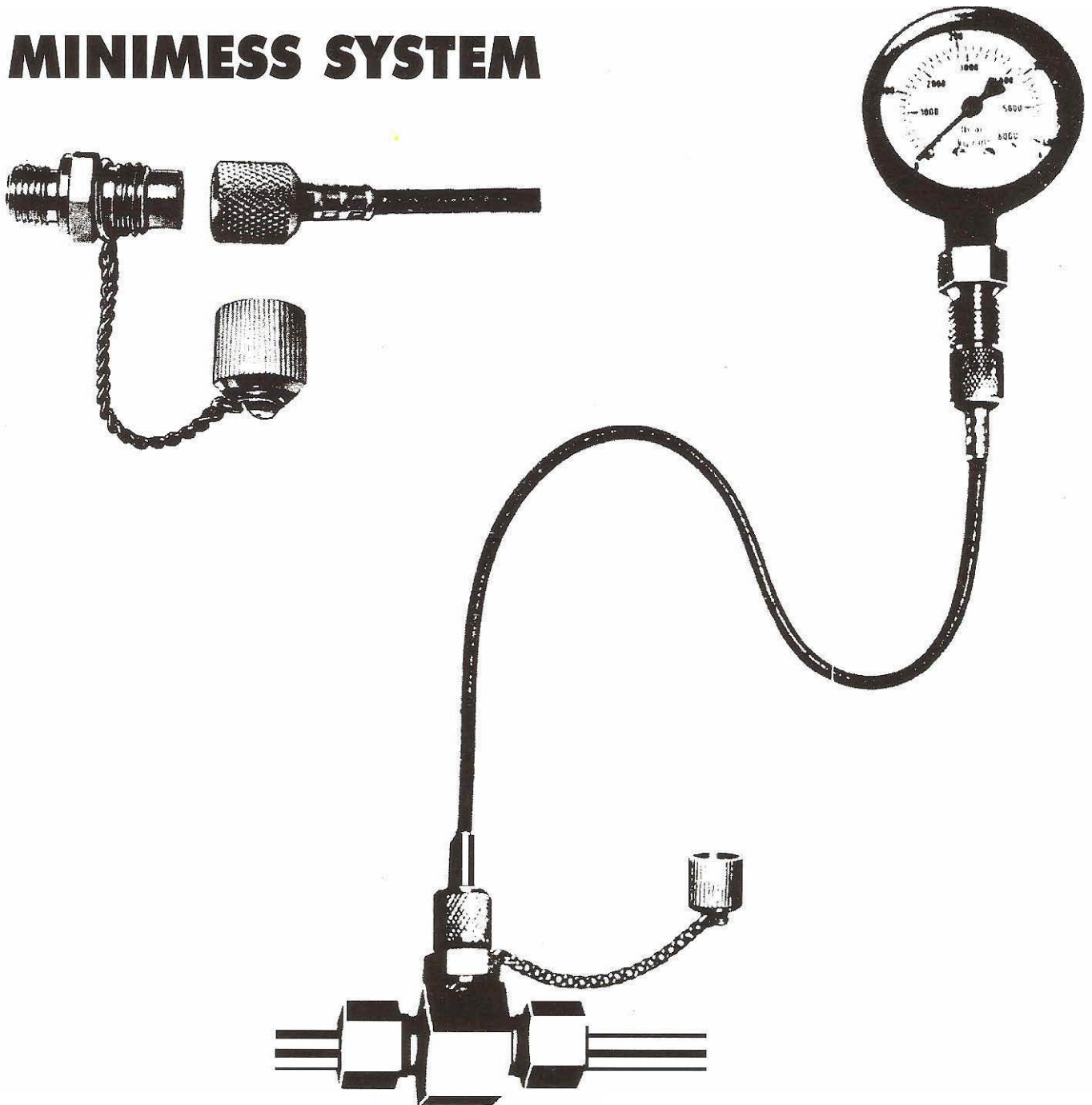


HYD-AIR

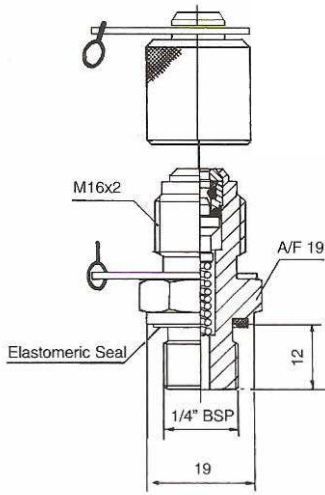
HYD-AIR ENGINEERING PVT. LTD.

Manufacturers of HYDRAULIC FITTINGS AND CENTRALISED LUBRICATIONS SYSTEM

MINIMESS SYSTEM



- For the measurement of high, low and negative pressure.
- For bleeding of hydraulic system and cylinders.
- For gas and oil sampling.
- For use in hydraulic and pneumatic systems as well as in gas and process engineering.
- Easy handling.
- Can be connected under high pressure.
- Small dimensions.
- Rigid construction.
- Sealing externally effective before coupling is connected.
- Maximum pressure 630 bar.



MINIMESS CONNECTOR

Male Stud Thread :- 1/4 BSP with Elastomeric Seal.

Working Pressure :- 630 Bar.

Material :-

(A) Body & Cap Steel

Surface Finish -Zinc Plated & Yellow Passivated

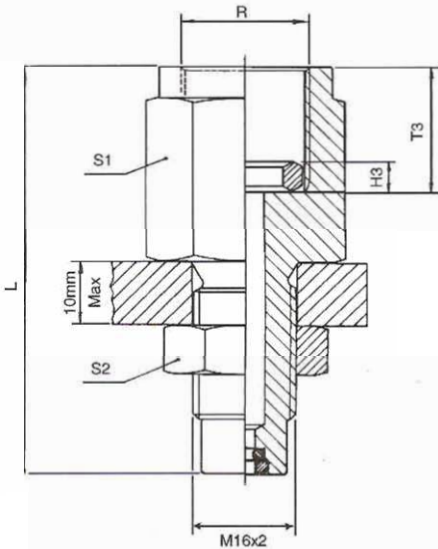
(B) Seals - Nitrile.

Temperature Range :- -30° C to + 120° C

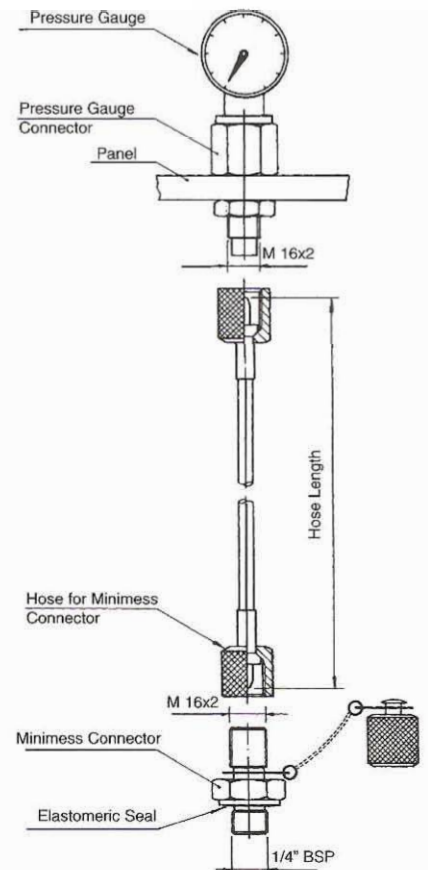
Part No. : MMC - R1/4 - 1620 - nr

PRESSURE GAUGE CONNECTOR

L	S1	S2	T3	H3	R	PART NO.
59	19	22	14.5	4.5	1/4\"B.S.P.	PGC-R 1/4-1620.
59	24	22	14.5	4.5	3/8\"B.S.P.	PGC-R 3/8-1620.
35	27	22	20	5	1/2\"B.S.P.	PGC-R 1/2-1620.

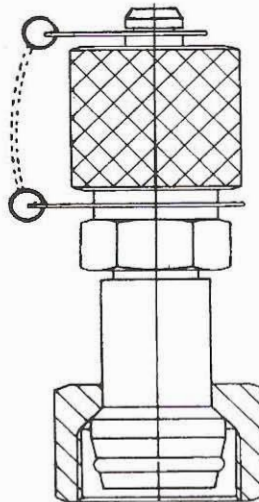


MINIMESS SYSTEM WITH HOSE



MINIMESS CONNECTOR FOR CONES

with 24° cone swivel nut connection



Note : Other Series on Request



HYD-AIR ENGINEERING PVT. LTD.

Office : 1009, 10th Floor, Panchshil Plaza, Hughes Road (N. S. Patkar Marg), Gamdevi, Mumbai - 400 007. Tel. : 91-22-23636089 Sales : 23638260
Email : midc@hyd-air-group.com Web site : www.Hyd-air-group.com

Works : Plot No. C-3, Phase-I, MIDC, Chakan Indl. Area, Post Mahalunge, Pune - 410501 Tel. No. : 02135-645001